

location: Huge hydraulic torque >> Thin hollow hydraulic >> XLCT Ultrathin Hollow Hydraulic Wrench

Huge hydraulic torque...

Electric hydraulic p...

Pneumatic pump

Hand pump

Jack

Hydraulic Puller Too...

Bolt tension

Round Hydraulic Shea...

Photo machine hydrau...

Hydraulic nut

High pressure hydrau...



Products name: XLCT Ultrathin Hollow Hydraulic Wrench

Products id: 3

Views : 165



Content

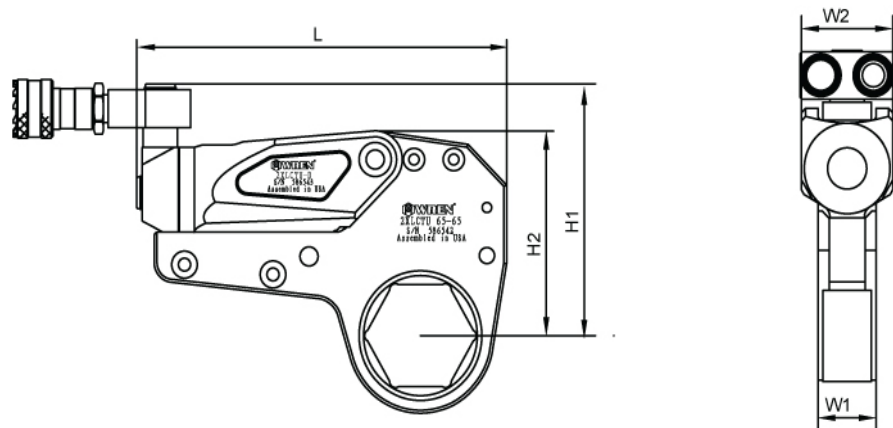
Table

Use pictures



Add:No.21, Guangfa Road, Dingqiao, Hangzhou, China
 Tel: 0571-88110295
 0571-88115701 13958144646
 Code: 310021
 Fax: 0571-88110210

- ◆ Made of spaceflight material (aluminum titanium alloy) and super strength alloy steel
- ◆ 360°*360°rotary joint, close to none oil pipe design
- ◆ One-piece power unit for the improvement of service life; one power unit matched for various working heads, wide operating range
- ◆ Design of high tolerance, optimal safety
- ◆ Light, thin, short, small, high torque, suitable for various "high-difficulty" space



Model	2XLCT		4XLCT		8XLCT		14XLCT	30XLCT	
Torque rangeN.m	232~2328	241~2414	585~5858	647~6474	1094~10941	1177~11774	1852~18521	4188~41882	4459~44593
Nuton theside mm	19~55	60	34~65	70~80	41~95	100~105	50~117	110~155	160~175

Power head weight Kg	1	1	1.7	1.7	3.0	3.0	4.6	10.4	10.4
Working head weight Kg	1.5	1.5	3.4	3.4	6.3	6.3	11.6	20.5	20.5
L	196.4	196.4	245	246	300	301	361	430	441
H1	125.9	128.5	177	187	207	216	239	303	315
H2	102.3	105	135.7	145.7	169	178	204	272	285
W1	32	32	42	42	53	53	64	85	85
W2	51	51	66	66	83	83	99	131	131

Key words : [XLCT Ultrathin Hollow Hydraulic Wrench](#)

download attachments :

[Browse similar products](#)

[Previous Page](#) : [LOW Ultrathin Hollow Type Hydraulic Wrench](#)

Download

Copyright WREN Technology Co.,Ltd.Hangzhou Add:No.21, Guangfa Road, Dingqiao, Hangzhou, China

Tel: 0571-88110295 Fax: 0571-88110210 Technical Support: 300.cn 浙ICP备05042346号

